

DIGESTERS

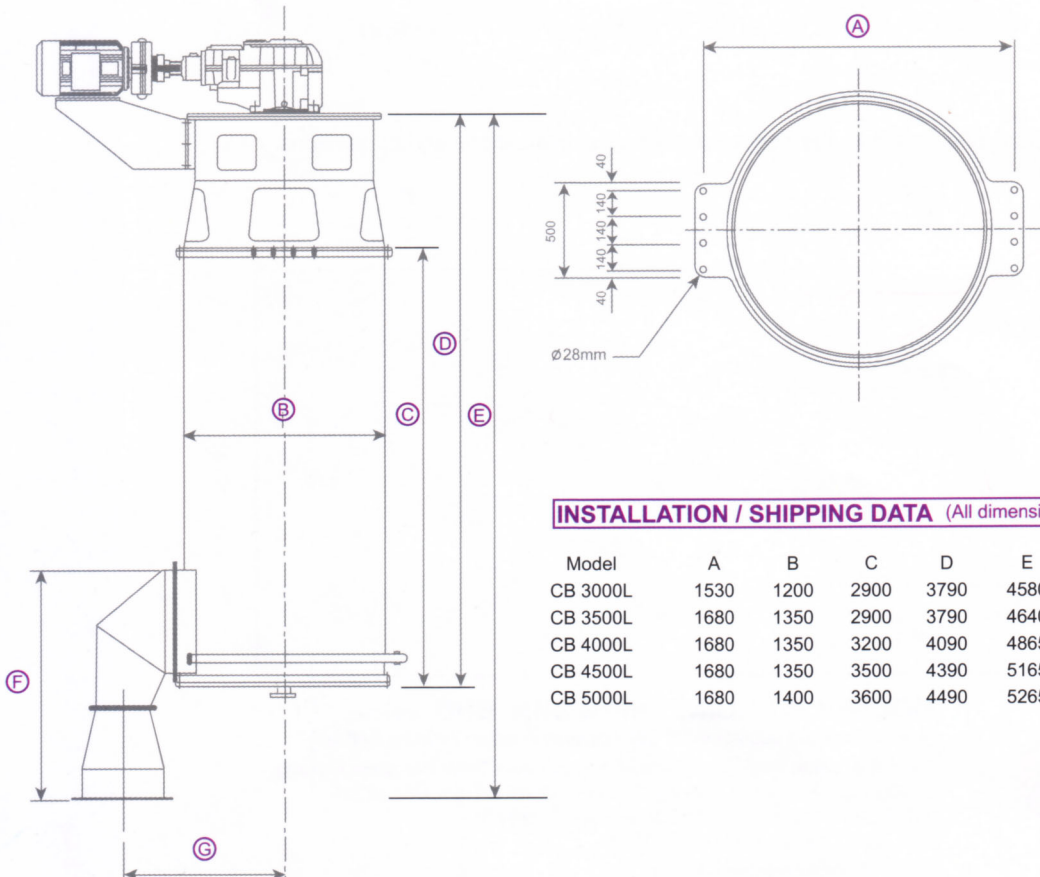


This direct steam injection digester with a capacity of 3000 litres, 3500 litres, 4000 litres, 4500 litres and 5000 litres are suitable for 10 tons, 15 tons and 20 tons screw presses.

Digester outlet chute fitted with rack and pinion door, is supplied to regulate the flow of digested mash to the press.

FEATURES

1. Durability
All component parts of this digester are engineered and precision machined using quality materials to ensure a long operational life.
2. Easy Operation
The digester is designed for simplicity in operation where only one operator is required to supervise several digesters.
3. Maintenance
The maintenance aspect of the digester is simple and requires no special tools.
4. Efficient Technical Back-up Service
All required spare parts are readily available ex-stock. On-site repair by our experienced technicians are also possible at a reasonable cost.



INSTALLATION / SHIPPING DATA (All dimension are in millimeters)

Model	A	B	C	D	E	F	G	Wgt(Kg)	Shipping Vol (m3)
CB 3000L	1530	1200	2900	3790	4580	1550	990	4700	10
CB 3500L	1680	1350	2900	3790	4640	1610	1100	5200	13
CB 4000L	1680	1350	3200	4090	4865	1535	1150	5700	14
CB 4500L	1680	1350	3500	4390	5165	1535	1150	6200	14.5
CB 5000L	1680	1400	3600	4490	5265	1535	1150	6800	15.5

SPECIFICATIONS

Model	CB 3000L	CB 3500L	CB 4000L	CB 4500L	CB 5000L
Type	Direct Steam Injection Digester				
Capacity (Ltr/Hr)	3000	3500	4000	4500	5000
Motor (kW)	22	30	37	37	45
Gear Reducer	Hansen, Flender, SEW, Sumitomo or equivalent				
Transmission	Flexible Coupling / Fluid Coupling / Pulley				
Square Shaft	115mm EN 9 or equivalent				
Bearing	SKF or equivalent				
Chute	3mm thick stainless steel with inspection door				
Discharge Door	Rack and Pinion Type				
Body	12mm thick mild steel plate				
Liner	Up to 9mm thick mild steel or stainless steel plate				
Bottom Wear Plate	Up to 15mm thick mild steel or stainless steel plate				
Bottom Plate	25mm thick mild steel plate				
Shaft Holder / Bush	Hardened Steel				
Level Indicator	Mechanical Type				
Arm (Stirring + Expeller)	4 + 1	4 + 1	5 + 1	5 + 1	5 + 1

Modipalm Engineering Sdn. Bhd. reserves the right to change all specifications and dimensions without prior notification.

Distributed by:



MODIPALM ENGINEERING SDN. BHD. (210753-U)

(A wholly owned subsidiary of CB Industrial Product Holding Berhad)

Lot 3 & 4, Jalan Waja 15, Kawasan Perusahaan Telok Panglima Garang,
42500 Telok Panglima Garang, Selangor Darul Ehsan. MALAYSIA.

Tel: (6) 03 - 3122 7117, 3122 8899 (Gen. Line)

Fax: (6) 03 - 3122 7152, 3122 9152

Email: info@modipalm.com.my