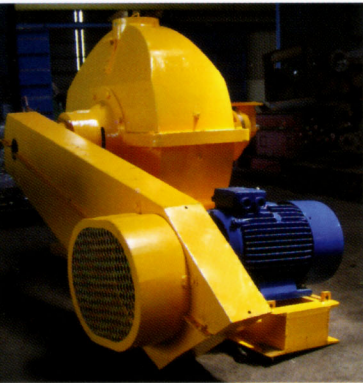


SLUDGE CENTRIFUGES

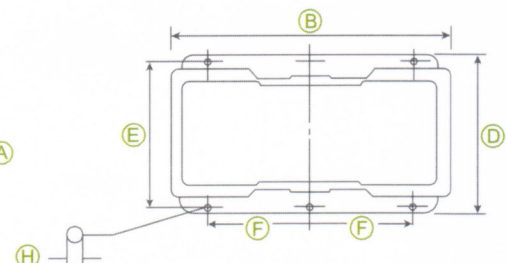
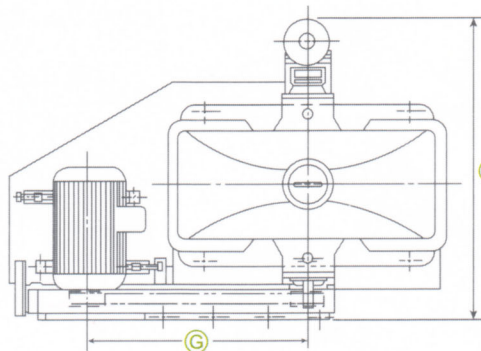
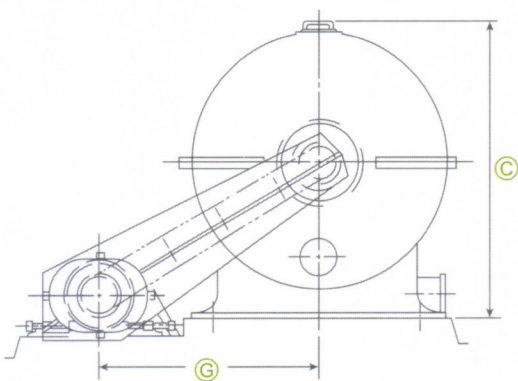


This new generation sludge centrifuge separator has been specially designed to serve the purpose of reclaiming palm oil present in the sludge water from the clarifying plant. Heavy wear of the centrifuge has been attributed to the presence of sand and other impurities in the water and therefore, our centrifuge is made from exceptionally high grade materials.

(Refer to the specification table for details)

FEATURES

1. Revolutionary new design in horizontal shaft Centrifuge Separator.
2. Innovative bowl design allows high capacity at minimal increase in drive requirement.
3. High efficiency in oil recovery.
4. Simple operation procedure which will easily adapt to your present Operator.
5. Lower wear on bowl exterior surface due to its streamlined profile.
6. Simple and robust design means minimal maintenance, no special tools or highly skilled personnel required.
7. Few wear parts equate low maintenance cost.



INSTALLATION / SHIPPING DATA (All dimension are in millimeters)

Model	A	B	C	D	E	F	G	H	Wgt(Kg)	Shipping Vol (m3)
SC 3000	1240	1340	1400	770	690	500	1400	27	1700	2.8
SC 6000	1640	1560	1720	980	860	600	1600	27	2400	4.6
NSC 8000	1240	1340	1400	770	690	500	1400	27	1700	2.8
NSC 10000	1640	1560	1720	980	860	600	1600	27	2400	4.6

SPECIFICATIONS

Model	SC 3000	SC 6000	NSC 8000	NSC 10000
Type	Star Bowl	Star Bowl	Dish Bowl	Dish Bowl
Capacity (Ltr/Hr)	3000	6000	8000	10000
Motor (kW)	11	22	15	22
Fluid Coupling	11 KSD	12 KSD	11 KSD	12 KSD
No. of Nozzle	4	6	12	14
Rotor Material	Stainless Steel 304			
Rotor Speed (Rpm)	1450			
Bearing	SKF or equivalent			
Nozzle	1.7mmØ - 2.0mmØ Dura - T			
Body Casing	Cast Iron			
Media Parts	Stainless Steel 304			

PERFORMANCES

Oil loss (Wet Basis) : Below 1%
Oil to NOS : Below 12%

Modipalm Engineering Sdn. Bhd. reserves the right to change all specifications and dimensions without prior notification.

Distributed by:



MODIPALM ENGINEERING SDN. BHD. (210753-U)
(A wholly owned subsidiary of CB Industrial Product Holding Berhad)
Lot 3 & 4, Jalan Waja 15, Kawasan Perusahaan Telok Panglima Garang,
Selangor Darul Ehsan. MALAYSIA.
Tel: (6) 03 - 3122 7117, 3122 8899 (Gen. Line)
Fax: (6) 03 - 3122 7152, 3122 9152
Email: info@modipalm.com.my

Visit our website: www.modipalm.com.my